

NOTES:

1. MATERIAL:

1.1 HOUSING: THERMOPLASTIC, HIGH TEMP.,
UL94V-0; COLOR:WHITIE .

1.2 CONTACT: COPPER ALLOY

1.3 FITTING NAIL: COPPER ALLOY

2. FINISH:

2.1 CONTACT:

50~100u" NICKEL UNDERPLATING OVERALL

N: 100u"MIN MATT TIN PLATING

A: 3u" GOLD ON CONTACT AREA

2.2 SOLDER:

50~100u" NICKEL UNDERPLATING OVERALL

N: 100~200u" MATT TIN PLATING

A: 3u" GOLD ON CONTACT AREA

2.3 FITTING NAIL:

50~100u" NICKEL UNDERPLATING OVERALL.

80u"MIN TIN PLATING OVERALL

3. REFLOW SOLDER CAPABLE TO 260°C
PER ACES SPEC.

4. SPEC. PLS. REFER TO PS-50287-XXXX-XXX

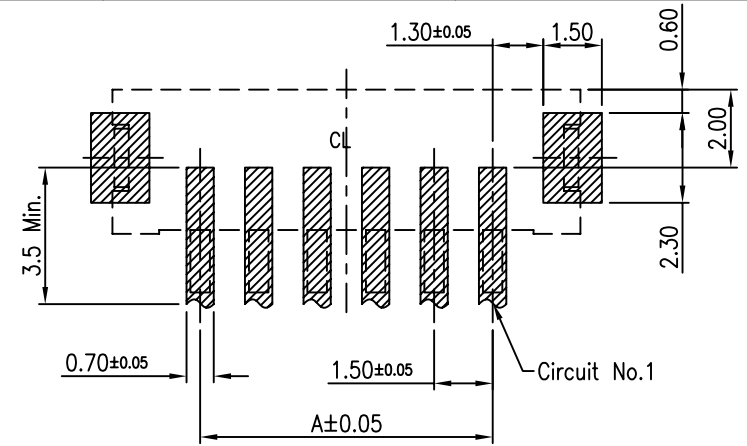
P/N LEGEND

51346-xxx x x-xxx

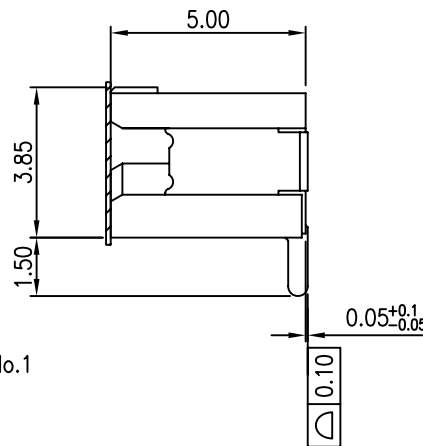
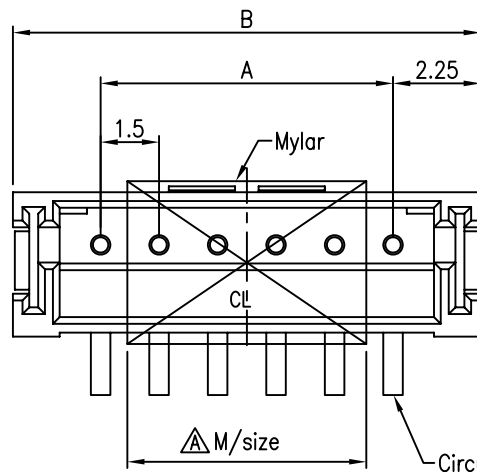
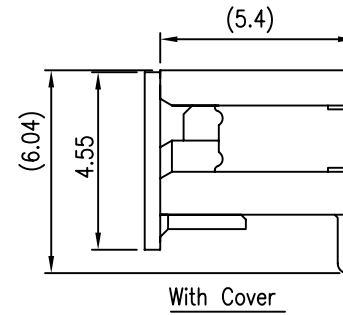
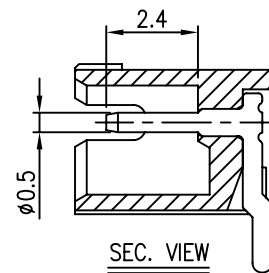
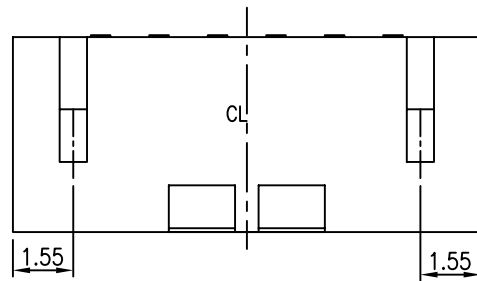
Other	HOUSING MATERIALX & COLOR	Halogen Free
001	LCPWHITE	Y

CKT
PACKING
7:TAPE REEL with Cover

PLATING
N:Matt Tin(Lead Free)
A:3U"GOLD ON CONTACT AREA



PCB PATTERN LAYOUT
GENERAL TOLERANCE ±0.05



CKT	DIM A	DIM B	M/size
2	1.5	6.0	W3T12-88261
3	3.0	7.5	W6T12-88261
4	4.5	9.0	
5	6.0	10.5	
6	7.5	12.0	
7	9.0	13.5	WAT12-88261
8	10.5	15.0	
9	12.0	16.5	
10	13.5	18.0	
11	15.0	19.5	WFT12-88261
12	16.5	21.0	
13	18.0	22.5	
14	19.5	24.0	
15	21.0	25.5	

一般公差 TOLERANCES X ±0.5 XX ±0.15 X ±0.25 XXX ±0.1 ANGLES ±2°		宏致電子股份有限公司 Aces Electronics Co.,Ltd.	
檢驗尺寸標示 SYMBOLS ⊕ ⊗ INDICATE CLASSIFICATION DIMENSION ⊕ MARK IS CRITICAL DIM. ⊗ MARK IS MAJOR DIM.		品名 (TITLE) 1.5mm WTB WAFER SMT S/H TYPE	
表面處理 (FINISH)		圖號 (DWG.NO) 51346-XXXXX-XXX	
比例 (SCALE) 單位 (UNITS) 5:1 mm		製圖 (DR) Huang,Shun Sen 17/11/06 審核 (CHKD) Lu,Jing Quan 核准 (APPD) hsieh,fu yu	
1 OF 1		表號 (SHEET) A4 尺寸 REV A	